

POWER WINCHES WORM / SPUR GEAR

Series 4WS3M10 shown with clutch



Wire rope assemblies and controls sold separately

Series 4WS Worm/Spur Gear Power Winches

Up to 6000 lb Capacity

- **Modular Design** allows us to make-to-order each winch to meet your exact needs.
- **Standard Features** include TEFC brake motors, enclosed machine cut gearing and flange style ball bearings..
- **Custom Modifications** available include grooved drums, special drum lengths and diameters, limit switches, roller pressure bars, and special finishes. Pneumatic, hydraulic and alternate motor voltages are also available.
- **Two-year Limited Warranty**

Series 4WS Electric – Configurations and Performance Characteristics

Model Number	Model Number Extensions				Motor (hp)	Load Rating						Wire Rope Dia.		Line Speed				Drum Capacity ¹			Approx. Ship Weight ²						
	Load Rating	Line Speed	Motor Codes	Clutch Opt		1st Layer		Mid Drum		Full Drum		(in) (mm)	(fpm) (mpm)	(ft) (m)	(ft) (m)	(ft) (m)	(lb) (kg)	(lb) (kg)									
						(lb) (kg)	(lb) (kg)	(lb) (kg)	(lb) (kg)	1st Layer	Full Drum								1st Layer	Mid Drum	Full Drum						
4WS1M6	800	362	15	4	ABDEF	C	.5	800	362	550	249	420	190	3/16	4.8	17	5	33	10	21	6	110	33	260	79	155	71
4WS1M6	800	362	30	9	ABDEF	C	.75	800	362	550	249	420	190	3/16	4.8	29	8	55	16	21	6	110	33	260	79	165	75
4WS1M6	800	362	40	12	ABDEF	C	1	800	362	550	249	420	190	3/16	4.8	43	13	82	24	21	6	110	33	260	79	175	80
4WS1M6	1100	498	20	6	ABDEF	C	.75	1100	498	800	362	600	272	1/4	6.4	18	5	32	9	16	4	62	18	140	42	165	75
4WS1M6	1100	498	30	9	ABDEF	C	1	1100	498	800	362	600	272	1/4	6.4	30	9	54	16	16	4	62	18	140	42	175	80
4WS1M6	1100	498	40	12	DEF	C	1.5	1100	498	800	362	600	272	1/4	6.4	44	13	81	24	16	4	62	18	140	42	170	77
4WS1M6	1500	680	20	6	ABDEF	C	1	1500	680	1000	453	800	362	1/4	6.4	18	5	32	9	16	4	62	18	140	42	175	80
4WS1M6	1500	680	30	9	DEF	C	1.5	1500	680	1100	498	800	362	1/4	6.4	30	9	54	16	16	4	62	18	140	42	170	77
4WS1M6	1500	680	40	12	BDEF	C	2	1500	680	1100	498	800	362	1/4	6.4	44	13	81	24	16	4	62	18	140	42	180	82
Clutch option for 4WS1M6 (for horizontal pulling only)																add:		5	3								
4WS3M10	2000	907	15	4	ABDEF	C	1	2000	907	1300	589	1000	453	5/16	7.9	14	4	29	8	34	10	220	67	500	152	310	141
4WS3M10	2000	907	20	6	DEF	C	1.5	2200	997	1400	635	1000	453	5/16	7.9	18	5	39	11	34	10	220	67	500	152	305	139
4WS3M10	2500	1133	20	6	BDEF	C	2	2500	1133	1600	725	1200	544	3/8	9.5	22	6	46	14	27	8	160	48	360	109	320	146
4WS3M10	3000	1360	15	4	DEF	C	1.5	3000	1360	2000	907	1500	680	3/8	9.5	14	4	29	8	27	8	160	48	360	109	305	139
4WS3M10	3000	1360	20	6	BDEF	C	2	3000	1360	2000	907	1500	680	3/8	9.5	19	5	39	11	27	8	160	48	360	109	320	146
4WS3M10	3500	1587	7	2	ABDEF	C	1	3500	1587	2300	1043	1700	771	7/16	11.1	8	2	15	4	23	7	120	36	270	82	330	150
4WS3M10	3500	1587	15	4	BDEF	C	2	3700	1678	2500	1133	1800	816	7/16	11.1	14	4	29	8	23	7	120	36	270	82	320	146
4WS3M10	3500	1587	20	6	DEF	C	3	3700	1678	2500	1133	1800	816	7/16	11.1	23	7	46	14	23	7	120	36	270	82	330	150
Clutch option for 4WS3M10 (for horizontal pulling only)																add:		8	4								
4WS6M12	3000	1360	10	3	DEF	C	1.5	3400	1542	2200	997	1600	725	3/8	9.5	12	3	25	7	40	12	300	91	660	201	515	234
4WS6M12	3000	1360	20	6	BDEF	C	2	3100	1406	2000	907	1500	680	3/8	9.5	20	6	42	12	40	12	300	91	660	201	530	241
4WS6M12	4000	1814	6	2	ABDEF	C	1	4500	2041	2900	1315	2200	997	7/16	11.1	6	2	13	4	34	10	220	67	500	152	535	243
4WS6M12	4000	1814	10	3	BDEF	C	2	4500	2041	2900	1315	2100	952	7/16	11.1	12	3	25	7	34	10	220	67	500	152	530	241
4WS6M12	4000	1814	20	6	DEF	C	3	4000	1814	2500	1133	1900	861	7/16	11.1	24	7	50	15	34	10	220	67	500	152	540	245
4WS6M12	6000	2721	4	1	ABDEF	C	1	6200	2812	4000	1814	3000	1360	1/2	12.7	4	1	8	2	30	9	170	51	390	118	535	243
4WS6M12	6000	2721	10	3	DEF	C	3	6400	2902	4200	1905	3100	1406	9/16	14.2	12	3	25	7	26	7	140	42	310	94	540	245
4WS6M12	6000	2721	20	6	DEF	C	5	6400	2902	4200	1905	3100	1406	9/16	14.2	24	7	50	15	26	7	140	42	310	94	585	266
Clutch option for 4WS6M12 (for horizontal pulling only)																add:		12	6								

When ordering, please indicate Model Number and Extensions. Examples: 4WS1M6-1100-20-A (without clutch); 4WS1M6-1100-20-A-C (with clutch).

Please contact Them or nearest Them Distributor for firm, fixed price and delivery.

¹ Actual drum capacities 25-30% less due to nonuniform winding. Wire rope tension will also affect drum capacity.

² Weight may vary with motor.

Electric Drum Control Switches – Order Separately

Model	Description	115/1/60 ³	230/1/60	230/3/60	460/3/60
10L2A1	NEMA 1	to 1.5 hp	to 2 hp	to 3 hp	to 3 hp
10L7E1	NEMA 1	to 1.5 hp	to 3 hp	to 5 hp	to 7.5 hp
10L2A4	NEMA 4 – watertight	to 1.5 hp	to 2 hp	to 3 hp	to 3 hp
10L7E4	NEMA 4 – watertight	–	to 3 hp	to 5 hp	to 7.5 hp
10PIA46	6-foot pendant control	to 1 hp	–	–	–

Please contact Them or nearest Them Distributor for firm, fixed price and delivery.

³ Controls for 115V single phase motors up to 1.5 hp, include an 8-foot power cord with grounded plug.

NOTES:

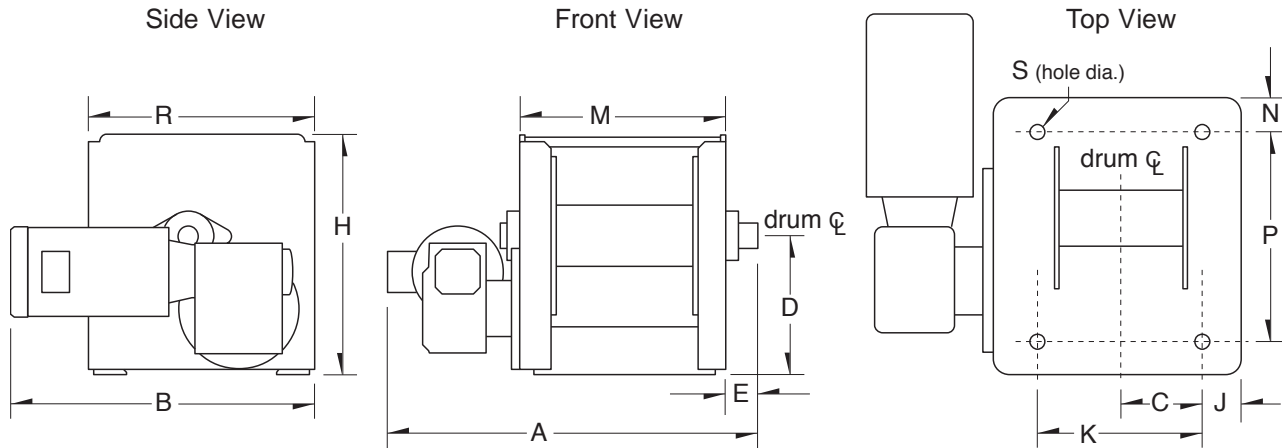
■ For more information and other control options, please see pages 93-95.

■ Custom controls are available including wireless remote control, variable speed control, electronic overload, and enclosures for special environments.

Motor Codes		
A	115 volt	1 phase
B	230 volt	1 phase
D	230 volt	3 phase
E	460 volt	3 phase
F	All other voltages, please contact the Them.	



WORM / SPUR GEAR POWER WINCHES

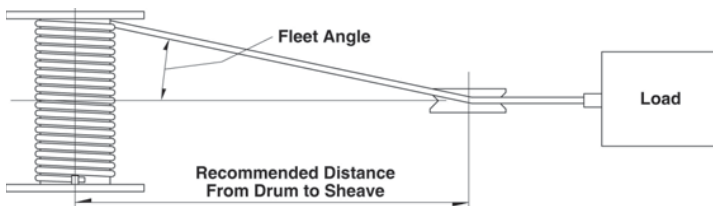


4WS Series – Winch Dimensions (in)

Model Extension	A ⁴	B ⁴	C	D	E	H	J	K	M	N	P	R	S (hole dia.)
4WS1M6-800-15	21	21.62	3	6.75	2.25	11.75	1.75	6	9.75	1.25	8.5	11	.44
4WS1M6-800-30	21	22.38	3	6.75	2.25	11.75	1.75	6	9.75	1.25	8.5	11	.44
4WS1M6-800-40	21.75	23.38	3	6.75	2.25	11.75	1.75	6	9.75	1.25	8.5	11	.44
4WS1M6-1100-20	21	22.38	3	6.75	2.25	11.75	1.75	6	9.75	1.25	8.5	11	.44
4WS1M6-1100-30	21.75	23.38	3	6.75	2.25	11.75	1.75	6	9.75	1.25	8.5	11	.44
4WS1M6-1100-40	21.75	22.38	3	6.75	2.25	11.75	1.75	6	9.75	1.25	8.5	11	.44
4WS1M6-1500-20	21.75	23.38	3	6.75	2.25	11.75	1.75	6	9.75	1.25	8.5	11	.44
4WS1M6-1500-30	21.75	22.38	3	6.75	2.25	11.75	1.75	6	9.75	1.25	8.5	11	.44
4WS1M6-1500-40	21.75	25	3	6.75	2.25	11.75	1.75	6	9.75	1.25	8.5	11	.44
4WS3M10-2000-15	27.75	26.75	5	10.12	2.38	17.5	2.38	10	15	1.88	12.75	16.5	.59
4WS3M10-2000-20	27.75	25.75	5	10.12	2.38	17.5	2.38	10	15	1.88	12.75	16.5	.59
4WS3M10-2500-20	27.75	28.25	5	10.12	2.38	17.5	2.38	10	15	1.88	12.75	16.5	.59
4WS3M10-3000-15	27.75	25.75	5	10.12	2.38	17.5	2.38	10	15	1.88	12.75	16.5	.59
4WS3M10-3000-20	27.75	28.25	5	10.12	2.38	17.5	2.38	10	15	1.88	12.75	16.5	.59
4WS3M10-3500-7	27.75	32	5	10.12	2.38	17.5	2.38	10	15	1.88	12.75	16.5	.59
4WS3M10-3500-15	27.75	28.25	5	10.12	2.38	17.5	2.38	10	15	1.88	12.75	16.5	.59
4WS3M10-3500-20	28.81	33	5	10.12	2.38	17.5	2.38	10	15	1.88	12.75	16.5	.59
4WS6M12-3000-10	33	26.75	5.62	12.88	2.5	22.5	3.25	12	19	1.88	18.25	22	.88
4WS6M12-3000-20	33	29.5	5.62	12.88	2.5	22.5	3.25	12	19	1.88	18.25	22	.88
4WS6M12-4000-6	33	27.75	5.62	12.88	2.5	22.5	3.25	12	19	1.88	18.25	22	.88
4WS6M12-4000-10	33	29.5	5.62	12.88	2.5	22.5	3.25	12	19	1.88	18.25	22	.88
4WS6M12-4000-20	34	29.25	5.62	12.88	2.5	22.5	3.25	12	19	1.88	18.25	22	.88
4WS6M12-6000-4	33	27.75	5.62	12.88	2.5	22.5	3.25	12	19	1.88	18.25	22	.88
4WS6M12-6000-10	34	29.25	5.62	12.88	2.5	22.5	3.25	12	19	1.88	18.25	22	.88
4WS6M12-6000-20	34	31	5.62	12.88	2.5	22.5	3.25	12	19	1.88	18.25	22	.88

Dimensions are for reference only and subject to change without notice.

⁴ Dimensions A and B may vary with motor selection.



4WS Series – Drum Dimensions

Model	Drum Diameter		Flange Diameter		Drum Width		Flange Angle Distance ⁵	
	(in)	(mm)	(in)	(mm)	(in)	(mm)	(ft)	(m)
4WS1M6	2.88	73.16	7.0	177.8	6.0	152.4	10.0	3.05
4WS3M10	4.50	114.3	11.50	292.1	10.0	254	16.0	4.88
4WS6M12	5.50	139.7	14.0	355.6	12.0	304.8	20.0	6.10

Dimensions are for reference only and subject to change without notice.

⁵ Recommended minimum distance between drum and lead sheave for smooth drum.

IMPORTANT:

It is the owner or operator's responsibility to determine the suitability of the equipment to its intended use. Study all applicable codes, manuals and regulations. Be sure to read the Owner's Manual supplied with the equipment before operating it.



These products are not for lifting people, or things over people.

FLCL-0618

POWER WINCH APPLICATIONS



- Rail Car Pulling
- Barge Positioning
- Conveyer Belt Tensioning
- Chute Positioning

- Cable Stay Handling
- Bridge Falsework
- Steel Erection
- Utility/Maintenance



- Conveyor Positioning
- Conveyor Take-up
- Plumb-bob winches
- Utility/Maintenance

- Accommodation Ladder Winches
- Towed Array Winches
- Specialty Winches
- Recovery Winches

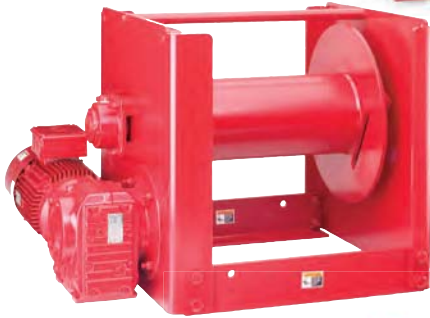


HEAVY DUTY POWER WINCHES

Series 4WS



Series 4HS



Series 4HWF



Series 4HPF



Series 4HBP



Up to 100,000 lb Capacity Power Winches

- Industrial-Duty Electric Motors
- Worm Gearing for Precise Load Control
- Enclosed Oil Bath
- Load Holding Brakes
- Mount on Floor, Wall or Ceiling
- Watertight NEMA Controls Available
- 2-Year Warranty

Mighty and reliable, Thern power winches can lift, hoist, pull or position up to 100,000 lb to handle any task you've got. Our broad range of standard models can be quickly adapted to suit custom applications.



Made in the USA



 These products are not for lifting people, or things over people.

POWER WINCHES HEAVY DUTY

4WS Series - 7000 to 26,000 lb capacity

Therm 4WS series power winches feature dual stage gear reduction for economical handling of large loads. The combination of helical/worm and spur gearing make these winches ideal for applications requiring secure load control and accurate positioning. Our modular design also means we can quickly customize these winches to meet your specific requirements.



FLANGE STYLE ROLLER BEARINGS are self-aligning bearings with cast housing to maintain smooth drum rotation.

WELDED STEEL DRUM with outside flange anchors allow for uniform winding and help extend life of wire rope. Anchors allow cable to be over wound or under wound from either side of the drum.

EXTENDED STEEL DRUM SHAFT with both ends captured in fabricated steel frame for optimal strength and security.

WIRE ROPE ASSEMBLIES sold separately per customer request.

FLANGE MOUNTED MOTOR

is a 230/460 volt 3 phase motor, 60 cycle, IP 54¹, TEFC severe duty, reversible, class B or F insulated, continuous duty brake motor.

Standard motors comply with relevant standards including NEMA, MG1, ANSI, CSA, IEC¹ and ABS.

LOAD HOLDING MOTOR DISC BRAKE

is spring set, electrically released for positive load control.

DUAL STAGE GEARING

comprised of a worm or helical/worm and spur gears, make winches well suited for applications requiring secure load control and accurate positioning.

The heat treated worm or helical/worm gear set provides improved durability and operates in an oil bath, enclosed in a high strength cast iron gearcase, SAE class 30. Double-lip oil seals keep oil in and contaminants out. Large capacity bearings ensure long life. Speed reducers meet AGMA standards.

Guarded, heated treated spur gearing provides secondary reduction. Grease zerks allow for easy lubrication.

ANSI B30.7 COMPLIANCE is available. Please contact the Therm.

2 YEAR "MOVE IT WITH CONFIDENCE" LIMITED WARRANTY leads the industry.

¹ Does not apply to 4WS9M18



HEAVY DUTY POWER WINCHES

7000 to 26,000 lb capacity - 4WS Series

Model	HP	Load Rating	Line Speed
4WS9M18	5 - 10	7,000 - 10,000 lb	10 - 30 fpm
4WS16M20	7.5 - 15	13,000 - 16,000 lb	15 - 35 fpm
4WS26M26	15 - 25	22,000 - 26,000 lb	10 - 35 fpm

OPTIONS AND ACCESSORIES

DRUM MODIFICATIONS (A) include grooved drums, multiple compartment drums and modified drum widths and diameters.

WINCH MOUNTING OPTIONS include base, wall or under hung installation.

CABLE PRESSURE BARS (B) help maintain uniform winding of wire rope.

LIMIT SWITCHES (A) provide secondary shut-off for load travel in one or two directions.

MOTOR OPTIONS include air or hydraulic, voltage or phase changes, IP 55 or 65, class F or H insulated and multi-speed operation.

DUTY RATINGS include IEEE 45 marine duty, tropical duty, severe duty and explosion proof ratings.

BRAKE OPTIONS include over-speed, caliper style, band, and more.

CONTROLS (C) are available in a wide range of standard and custom configurations for single or variable speed.

CORROSION RESISTANT FINISHES (D) for harsh or hazardous environments.

MANUAL OVERRIDES for winch operation in power loss situations.



Shown with double compartment and narrow drum width modifications and rotary limit switch.



Shown with cable pressure bar and grooved drum modification.



Shown with grooved drum modification and gray epoxy finish.



These products are not for lifting people, or things over people.

FLCL-0618

POWER WINCHES HEAVY DUTY

4WS Series Performance Characteristics

Model	Model Number Extensions			Motor	Load Rating						Line Speed			
	Load Rating	Line Speed	Motor Codes ¹		1st Layer		Mid Drum		Full Drum		1st Layer		Full Drum	
	(lb)	(fpm)		(hp)	(lb)	(kg)	(lb)	(kg)	(lb)	(kg)	(fpm)	(mpm)	(fpm)	(mpm)
4WS9M18	7000	20	D,E,F	5	7300	3312	5000	2268	3800	1724	21	6.4	41	12.5
4WS9M18	7000	30	D,E,F	7.5	7500	3402	5200	2359	4000	1815	32	9.8	61	18.6
4WS9M18	10000	10	D,E,F	5	10,000	4536	6900	3130	5300	2405	13	4.0	24	7.3
4WS9M18	10000	20	D,E,F	7.5	10,000	4536	6900	3130	5300	2405	21	6.4	41	12.5
4WS9M18	10000	30	D,E,F	10	10,000	4536	6900	3130	5200	2359	32	9.8	61	18.6
4WS16M20	13000	15	D,E,F	7.5	13,000	5897	8800	3992	6700	3040	14	4.3	26	7.9
4WS16M20	13000	20	D,E,F	10	13,300	6033	9100	4128	6900	3130	18	5.5	35	10.7
4WS16M20	13000	35	D,E,F	15	13,000	5897	8900	4038	6700	3040	35	10.7	68	20.7
4WS16M20	16000	15	D,E,F	7.5	16,000	7258	11,100	5035	8500	3856	12	3.7	24	7.3
4WS16M20	16000	20	D,E,F	10	16,000	7258	11,100	5035	8500	3856	16	4.9	31	9.4
4WS26M26	22000	20	D,E,F	15	22,800	10,343	16,700	7576	13200	5988	18	5.5	31	9.4
4WS26M26	22000	25	D,E,F	20	22,600	10,252	16,500	7485	13100	5943	25	7.6	43	13.1
4WS26M26	22000	35	D,E,F	25	22,200	10,070	16,300	7394	12,900	5852	36	11.0	63	19.2
4WS26M26	26000	10	D,E,F	10	26,200	11,885	19,400	8800	15,400	6986	10	3.0	17	5.2
4WS26M26	26000	15	D,E,F	15	26,000	11,794	20,200	9163	16,500	7485	16	4.9	27	8.2

Motor Codes		
D	230 volt	3 phase
E	460 volt	3 phase
F	All other voltages, please contact Them.	

Please contact Them or nearest Them Distributor for firm fixed price and delivery.

4WS Series Drum Capacities

Wire Rope Dia.		Breaking Strength ²		Drum Capacity	4WS9M18		4WS16M20		4WS26M26	
(in)	(mm)	(lb)	(kg)		(ft)	(m)	(ft)	(m)	(ft)	(m)
				1st	87	26.5	-	-	-	-
7/16	11.2	20,400	9,254	Mid	670	204.2	-	-	-	-
				Full	1500	457.2	-	-	-	-
				1st	76	23.2	-	-	-	-
1/2	12.7	26,600	12,066	Mid	520	158.5	-	-	-	-
				Full	1170	356.6	-	-	-	-
				1st	67	20.4	89	27.1	-	-
9/16	14.2	33,600	15,240	Mid	420	128.0	690	210.3	-	-
				Full	930	283.5	1,530	466.3	-	-
				1st	59	18	78	23.8	-	-
5/8	16.0	41,200	18,688	Mid	340	103.6	560	170.7	-	-
				Full	760	231.6	1250	381	-	-
				1st	48	14.6	65	19.8	110	33.5
3/4	19.1	58,800	26,671	Mid	240	73.2	400	121.9	670	204.2
				Full	540	164.6	880	268.2	1480	451.1
				1st	-	-	54	16.5	94	28.7
7/8	22.4	79,600	36,106	Mid	-	-	290	88.4	480	146.3
				Full	-	-	640	195.1	1070	326.1
				1st	-	-	47	14.3	82	25.0
1	25.4	103,400	46,902	Mid	-	-	220	67.1	370	112.8
				Full	-	-	490	149.4	830	253.0
				1st	-	-	-	-	71	21.6
1-1/8	28.7	130,000	58,968	Mid	-	-	-	-	300	91.4
				Full	-	-	-	-	660	201.2
				1st	-	-	-	-	63	19.2
1-1/4	31.8	159,800	72,485	Mid	-	-	-	-	240	73.2
				Full	-	-	-	-	530	161.5
				1st	-	-	-	-	56	17.1
1-3/8	34.9	192,000	87,090	Mid	-	-	-	-	200	61.0
				Full	-	-	-	-	440	134.1
				1st	-	-	-	-	-	-

Values based on 6x37 IWRC EIPS wire rope.

Actual drum capacities 25-30% less, due to nonuniform winding. Wire rope tension will also affect drum capacity.

² Wire rope should be selected based on the breaking strength to load rating ratio and application parameters.

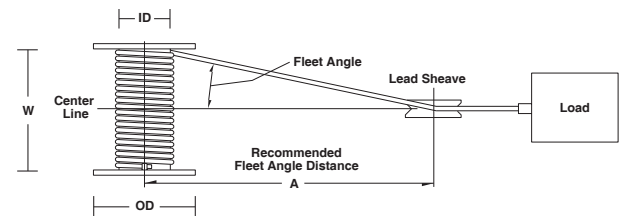
Industry standards suggest a 5:1 breaking strength to load rating ratio for lifting and a 3:1 ratio for pulling.

Electric Motor Controls

Model	Description	Approx. Ship Wt.	
		(lb)	(kg)
10S3D4	electric motor controls 230/3/60 to 3 hp	25	12
10S7D4	electric motor controls 230/3/60 to 7.5 hp	25	12
10S10D4	electric motor controls 230/3/60 to 10 hp	28	13
10S20D4	electric motor controls 230/3/60 to 20 hp	28	13
10S30D4	electric motor controls 230/3/60 to 30 hp	60	28
10S7E4	electric motor controls 460/3/60 to 7.5 hp	25	12
10S15E4	electric motor controls 460/3/60 to 15 hp	25	12
10S20E4	electric motor controls 460/3/60 to 20 hp	28	13
10S40E4	electric motor controls 460/3/60 to 40 hp	60	28

Controls include NEMA 4 rated enclosure and NEMA 4X rated pendant control on 50-foot cord.

Motor Controls sold separately. Please contact Them or nearest Them Distributor for firm fixed price and delivery. All prices include mounting and wiring to motor.



4WS Series Drum Dimensions

Model	Drum Diameter (ID)		Flange Diameter (OD)		Drum Width (W)		Fleet Angle Distance (A) ³	
	(in)	(mm)	(in)	(mm)	(in)	(mm)	(ft)	(m)
4WS9M18	9	229	20	508	18	457	29	8.8
4WS16M20	10.75	273	24	610	20	508	32	9.8
4WS26M26	14	356	28	711	26	660	42	12.8

³ Recommended minimum distance between drum and lead sheave for smooth drum.

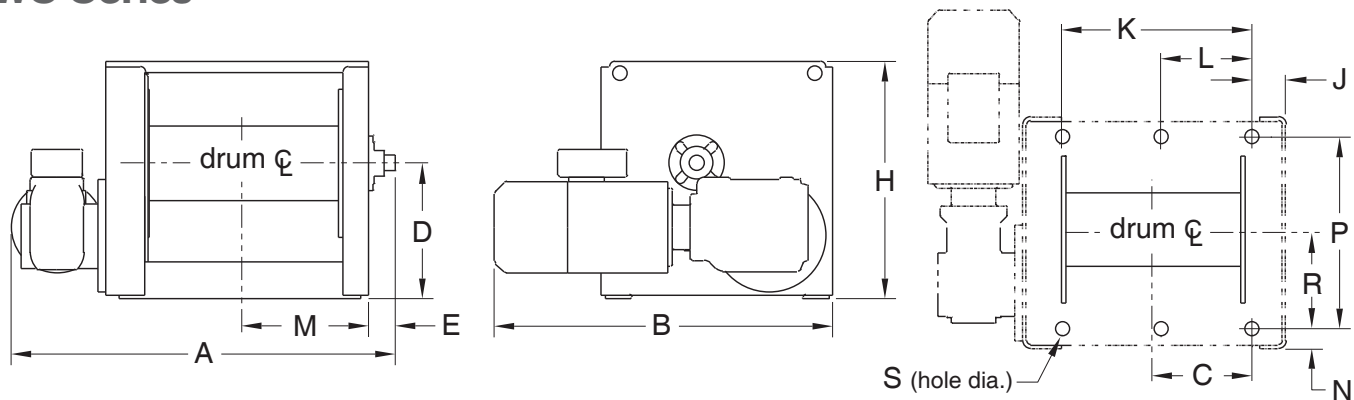
Dimensions are for reference only and subject to change without notice.

Please contact Them for exact dimensions.



HEAVY DUTY POWER WINCHES

4WS Series



4WS Series Winch Dimensions

Model	A		B		C		D		E		H		J		K	
	(in)	(mm)	(in)	(mm)	(in)	(mm)	(in)	(mm)	(in)	(mm)	(in)	(mm)	(in)	(mm)	(in)	(mm)
4WS9M18-7000-20	44	1118	33.75	857	8.5	216	17.75	451	5.13	130	31	787	4	102	18	457
4WS9M18-7000-30	45.5	1156	38.5	978	8.5	216	17.75	451	5.13	130	31	787	4	102	18	457
4WS9M18-10000-10	44	1118	33.75	857	8.5	216	17.75	451	5.13	130	31	787	4	102	18	457
4WS9M18-10000-20	45.5	1156	38.5	978	8.5	216	17.75	451	5.13	130	31	787	4	102	18	457
4WS9M18-10000-30	45.5	1156	40	1016	8.5	216	17.75	451	5.13	130	31	787	4	102	18	457
4WS16M20-13000-15	48	1219	34.75	883	9.5	241	20	508	6.25	159	34	864	4	102	20	508
4WS16M20-13000-20	48	1219	37	940	9.5	241	20	508	6.25	159	34	864	4	102	20	508
4WS16M20-13000-35	48	1219	39.5	1003	9.5	241	20	508	6.25	159	34	864	4	102	20	508
4WS16M20-16000-15	48	1219	34.75	883	9.5	241	20	508	6.25	159	34	864	4	102	20	508
4WS16M20-16000-20	48	1219	37	940	9.5	241	20	508	6.25	159	34	864	4	102	20	508
4WS26M26-22000-20	60.5	1537	43.5	1105	12.38	314	25.38	645	8.06	205	44.5	1130	5.88	149	26	660
4WS26M26-22000-25	60.5	1537	47	1194	12.38	314	25.38	645	8.06	205	44.5	1130	5.88	149	26	660
4WS26M26-22000-35	60.5	1537	50	1270	12.38	314	25.38	645	8.06	205	44.5	1130	5.88	149	26	660
4WS26M26-26000-10	60.5	1537	42	1067	12.38	314	25.38	645	8.06	205	44.5	1130	5.88	149	26	660
4WS26M26-26000-15	60.5	1537	43.5	1105	12.38	314	25.38	645	8.06	205	44.5	1130	5.88	149	26	660

	L		M		N		P		R		S (hole dia.)		Ship Weight	
	(in)	(mm)	(in)	(mm)	(in)	(mm)	(in)	(mm)	(in)	(mm)	(in)	(mm)	(lb)	(kg)
4WS9M18-7000-20	-	-	12.5	318	2.75	70	22	559	12.5	318	1-3/16	30	1100	499
4WS9M18-7000-30	-	-	12.5	318	2.75	70	22	559	12.5	318	1-3/16	30	1100	499
4WS9M18-10000-10	-	-	12.5	318	2.75	70	22	559	12.5	318	1-3/16	30	1100	499
4WS9M18-10000-20	-	-	12.5	318	2.75	70	22	559	12.5	318	1-3/16	30	1100	499
4WS9M18-10000-30	-	-	12.5	318	2.75	70	22	559	12.5	318	1-3/16	30	1160	527
4WS16M20-13000-15	10	254	13.5	343	2.75	70	27.5	699	16.25	413	1-3/16	30	1550	704
4WS16M20-13000-20	10	254	13.5	343	2.75	70	27.5	699	16.25	413	1-3/16	30	1610	731
4WS16M20-13000-35	10	254	13.5	343	2.75	70	27.5	699	16.25	413	1-3/16	30	1650	749
4WS16M20-16000-15	10	254	13.5	343	2.75	70	27.5	699	16.25	413	1-3/16	30	1550	704
4WS16M20-16000-20	10	254	13.5	343	2.75	70	27.5	699	16.25	413	1-3/16	30	1610	731
4WS26M26-22000-20	13	330	18.25	464	3	76	36	914	21.75	552	1-3/8	35	3110	1411
4WS26M26-22000-25	13	330	18.25	464	3	76	36	914	21.75	552	1-3/8	35	3290	1493
4WS26M26-22000-35	13	330	18.25	464	3	76	36	914	21.75	552	1-3/8	35	3350	1520
4WS26M26-26000-10	13	330	18.25	464	3	76	36	914	21.75	552	1-3/8	35	3070	1393
4WS26M26-26000-15	13	330	18.25	464	3	76	36	914	21.75	552	1-3/8	35	3110	1411

Dimensions are for reference only and subject to change without notice. Please contact Them for exact dimensions.

IMPORTANT:

It is the owner or operator's responsibility to determine the suitability of the equipment to its intended use. Study all applicable codes, manuals and regulations. Be sure to read the Owner's Manual supplied with the equipment before operating it.



These products are not for lifting people, or things over people.

FLCL-0618